

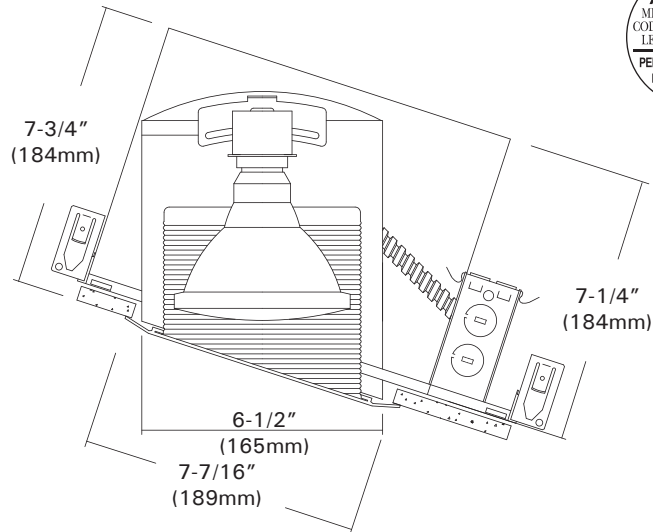
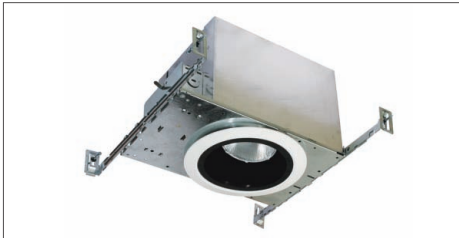
# IC-906AT

## 120V Line Voltage

6" 150W, IC Type Airtight Housing For Sloped Ceiling with Double Wall

Catalog #		Type
Project		Date
Prepared by		

**INCANDESCENT**



### DESCRIPTION

Designed for sloped ceiling installations in ceilings with a 2/12 to 6/12 pitch. The socket aiming mechanism allows the lamp to be aimed straight down regardless of ceiling pitch.

### APPLICATION

The IC-906AT is designed for insulated ceilings and can be in direct contact with insulation material. The AIR-TIGHT housing design prevents airflow through the ceiling, helping save on heating and cooling costs.

### DESIGN FEATURES

Oval Ceiling Cut-out : 7-1/16" x 6-7/8"  
Lamp, Max. Watt. : 150W A19 / R30 / PAR30

#### ◦ Housing

- Double wall aluminum housing
- 7-3/4" height allows use in 2"X8" or 2"X10" joist construction.
- Housing adjusts for ceilings up to 1" thick.

#### ◦ Junction Box

- Listed for through branch circuit wiring. (Max. 8 No 12 AWG 90°C branch circuit conductors. (4 in, 4 out)
- (5) 1/2" knockouts with true pry-out slots and (4) knockouts with Romex cable clamp.
- Ground wire provided on J-box.

#### ◦ Mounting Frame

- Galvanized steel construction.
- 12"L x 7-5/8"W

#### ◦ Bar Hangers

- Maximum extension of 24" allows for extra distance between joists.
- Housing can be positioned at any point within 24" joist span.
- Score lines allow "toolless" shortening for 12" joists. Bar hangers may be repositioned 90 degrees.
- Integral T-bar clips snaps onto T-bars and no additional clips are required.

#### ◦ Just-A-Nail

- Pre-installed nail bars with vertical slots are used to evenly align the bars horizontally after nailing halfway into wood joists.

#### ◦ Socket

- Medium base porcelain with nickel-plated copper screw shell.
- Adjustable to position lamp perpendicular to floor.

#### ◦ Lamp

- Lamp ratings based on trim selected - See trim page for more details.

#### ◦ Thermal Protector

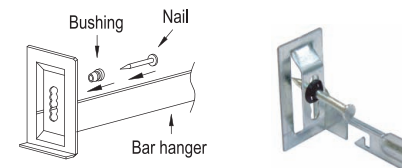
- Self-resetting thermal protector in the housing deactivates fixture if overheating occurs due to improper lamping or insulation.

#### \* Listing

- UL, c-UL listed for damp location.
- UL, c-UL listed for feed through.

#### • Just-A-Nail

Adjustable nail hanger bar for easy alignment.



**JUST-A-NAIL**

#### • Optional "Quick Connect" Push-in wire connectors.

- Three "Quick Connectors"
- Pre-installed push-in wire connectors for fast and easy wiring.

#### • Compliance

- Washington State Energy Code.
- New York State Energy Conservation Construction Code.
- Certified AIR-TIGHT Under ASTM E283.

# Trims

## 6" Incandescent Trims For

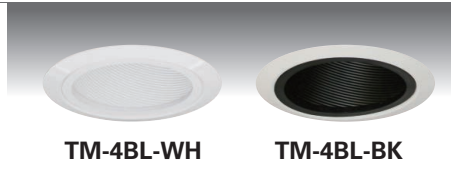
DL-906, DL-906R, IC-806, IC-806R, IC-906AT

Catalog #		Type
Project		Date
Prepared by		

### INCANDESCENT

#### TM-4BL

**Slope Baffle**  
**NON-IC : R40/PAR38-150W**  
**IC : PAR30/38-75W Max.**  
**IH-690ICA : PAR38-90W**  
 White Plastic Trim Ring  
 O.D : 7-7/8"



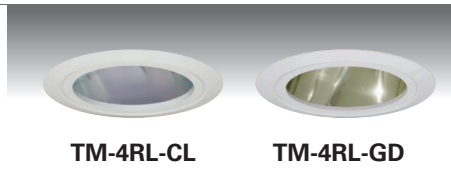
#### TM-38E

**Eyeball w/ Baffle**  
**PAR30/R30-75W**  
 White Metal Trim Ring  
 O.D : 8-1/8"



#### TM-4RL

**Slope Reflector**  
**NON-IC : R40/PAR38-100W**  
**IC : PAR30/38-75W Max.**  
**IH-690ICA : PAR38-90W**  
 White Plastic Trim Ring  
 O.D : 7-7/8"



#### TM-7/TM-7P

**Shower Fresnel Lens**  
**NON-IC : A19-60W**  
**IC : A19-40W**  
 White Plastic Trim Ring  
 O.D : 8-1/8"  
 \*Symbol (P) is for Lexan Trim



#### TM-8E

**Eyeball**  
**PAR30/R30-75W**  
 White Metal Trim Ring  
 O.D : 8-1/8"



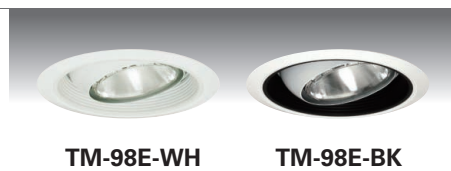
#### TM-6/TM-6P

**Shower Drop Opal**  
**NON-IC : A19-60W**  
**IC : A19-40W**  
 White Plastic Trim Ring  
 O.D : 8-1/8"  
 \*Symbol (P) is for Lexan Trim



#### TM-98E

**Regressed Eyeball w/ Baffle**  
**PAR30/R30 - 75W**  
 White Plastic Trim Ring  
 O.D : 7-7/8"



#### TM-5/TM-5P

**Shower Albalite Lens**  
**NON-IC : A19-60W**  
**IC : A19-40W**  
 White Metal Trim Ring  
 O.D : 8-1/8"  
 \*Symbol (P) is for Lexan Trim



## 6" Incandescent Trims For

DL-9068, DL-9068R, IC-8068, IC-8068R, IC-9068AT

#### TM-48BL

**Super Slope Baffle**  
**NON-IC : R40/PAR38-150W**  
**IC : PAR30/R38-75W Max.**  
 White Plastic Trim Ring  
 O.D : 9-5/32" x 7-3/4"



#### TM-48RL

**Super Slope Reflector**  
**NON-IC : R40/PAR38-150W**  
**IC : PAR30/R38-75W Max.**  
 White Plastic Trim Ring  
 O.D : 9-5/32" x 7-3/4"



### ORDERING INFORMATION

Choose the catalog / finish codes that best suit your needs and enter it on the appropriate line.

TRIM MODEL	REFLECTOR	BAFFLE	METAL RING
	CL :Clear	WH :White	WH :White
	WH :White	BK :Black	BK :Black
	GD :Gold	SN :Satin Nickel	SN :Satin Nickel
	MA :Matte Platinum	AN :Antique Nickel	AN :Antique Nickel
	CP :Champagne	AC :Antique Copper	AC :Antique Copper
	PR :Pewter	MO :Mocha	MO :Mocha
	HC :Haze Clear	CA :Cappuccino	CA :Cappuccino
		CH :Chrome	CH :Chrome
		UN :Natural Steel	UN :Natural Steel
		PB :Polished Brass	PB :Polished Brass

Examples:

TM-6P-WH = Drop Opal Lens w/ White Lexan Trim Ring  
 TM-98E-BK-WO = White Trim Ring with White Eyeball & Black Baffle  
 TM-48BL-BK-WO = White Trim Ring with Black Super Slope Baffle  
 TM-5-WH = Albalite Lens w/ White Trim Ring